

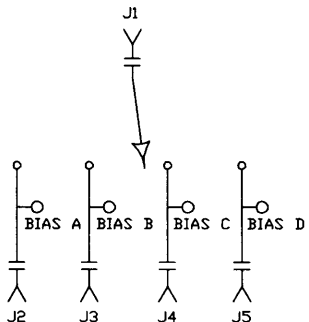
DESCRIPTION:

AMC MODEL SKL-103F-4DT-1-AA973 IS A SINGLE POLE FOUR THROW, ABSORPTIVE/NON-REFLECTIVE SWITCH MODULE WITH VERY LOW INSERTION LOSS, HIGH ISOLATION AND WITH INTEGRAL TTL DRIVER DESIGNED FOR 1.2 GHz TO 1.96 GHz OPERATION.

SPECIFICATIONS:

- FREQUENCY: 1.2 GHz - 1.960 GHz
- INSERTION LOSS: 1.5 dB MAXIMUM
- ISOLATION: 90 dB MINIMUM
- VSWR: ABSORPTIVE IN/OUT: 1.3:1
 ABSORPTIVE OUT/OFF: 1.3:1
- SPEED: DELAY ON: 100 nS MAXIMUM
 DELAY OFF: 100 nS MAXIMUM
- POWER INPUT: (CW)+20 dBm
- SURVIVAL POWER: 1 WATT CW, 10 WATTS PEAK 1 usec
- IN BAND FLATNESS: 1.20 TO 1.40 GHz 0.2 dB PEAK TO PEAK
 1.75 TO 1.96 GHz 0.4 dB PEAK TO PEAK
- CONTROL: "1" (HIGH) 2.4 TO 5 VDC PORT "ON"
 "0" (LOW) 0 TO 0.8 VDC PORT "OFF"
- POWER SUPPLY: +5V @ 250 mA MAXIMUM
 -15V @ 150 mA MAXIMUM
- CONNECTORS:
 RF: SMA FEMALE
 CONTROL: SOLDER PIN
- SIZE: 2.50" (L) x 1.25" (W) x 0.50" (H)
- WEIGHT: 5.5 OUNCE TYPICAL

BLOCK DIAGRAM



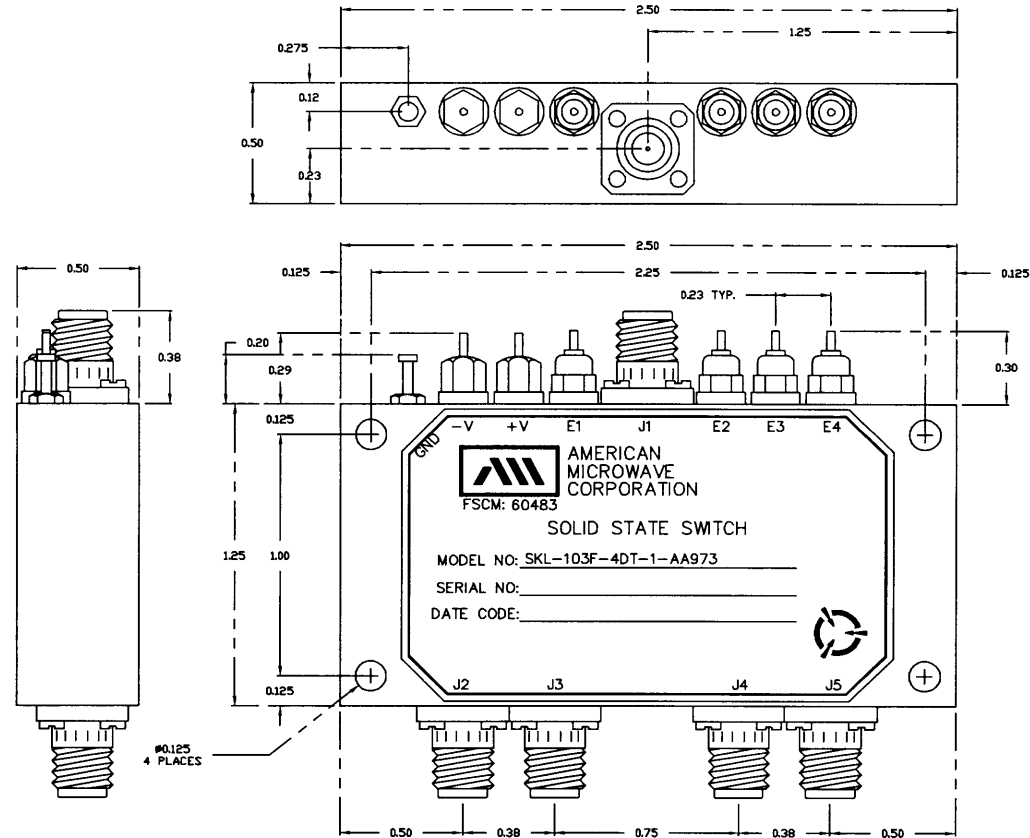
ENVIRONMENTAL RATINGS:

- TEMPERATURE: -30°C TO +65°C (OPERATING)
 -40°C TO +65°C (SURVIVAL)
 -55°C TO +125°C (STORAGE)
- HUMIDITY: UP TO 100% RH AT TA=-30°C TO +65°C
 INCLUDING CONDENSATION, MIL-STD-883 METHOD 1004
- SHOCK: 30 G'S, 11 MSEC., HALF SINE, 3 SHOCKS PER AXIS, 3 AXES, 2 DIRECTIONS
- VIBRATION:
 SINUSOIDAL: 1.5 MM PEAK TO PEAK, 2 G'S, 5 TO 55 Hz;
 1.5 G, 55 TO 200 Hz
 RANDOM: ACCORDING TO "BASIC TRANSPORTATION"
 OF MIL-STD-810, CATEGORY 1.
- ALTITUDE: (OPERATING) MIL-STD-883, METHOD 1001: 3500M ABOVE SEA LEVEL.
 (STORAGE) MIL-STD-883, METHOD 1001: 5000M ABOVE SEA LEVEL.
- SALT FOG: 5% NaCl FOR 48 HOURS AT 35°C
 MIL-STD-883 METHOD 1009 COND. B
- TEMPERATURE CYCLE: MIL-STD-202F, METHOD 107D COND. A

NOTE: THE ABOVE SPECIFICATIONS ARE SUBJECT TO CHANGE OR REVISION

ALL DIMENSIONS ARE IN INCHES
 TOLERANCES:
 X.XX ±0.010
 X.XXX ±0.005

REVISIONS				
ZONE	REV.	DESCRIPTION	DATE	APPROVED
	-	ORIGINAL JOB# 011239E	01/09/01	



NOTE:

- DR=WITH DRIVER, REFLECTIVE
- DT=WITH DRIVER, NON-REFLECTIVE/ABSORPTIVE

CONFIDENTIAL AND PROPRIETARY

PART NO.		AMERICAN MICROWAVE CORPORATION FREDERICK, MARYLAND		
APPROVALS	DATE	TITLE		
DRAWN <i>WJL</i>	01/09/01	PRODUCT FEATURE SKL-103F-4DT-1-AA973		
CHECKED				
ISSUED		SIZE A	FSCM NO. 60483	DWG NO. 100-5863
		SCALE 1.25:1		REV. -
				SHEET 1 of 3